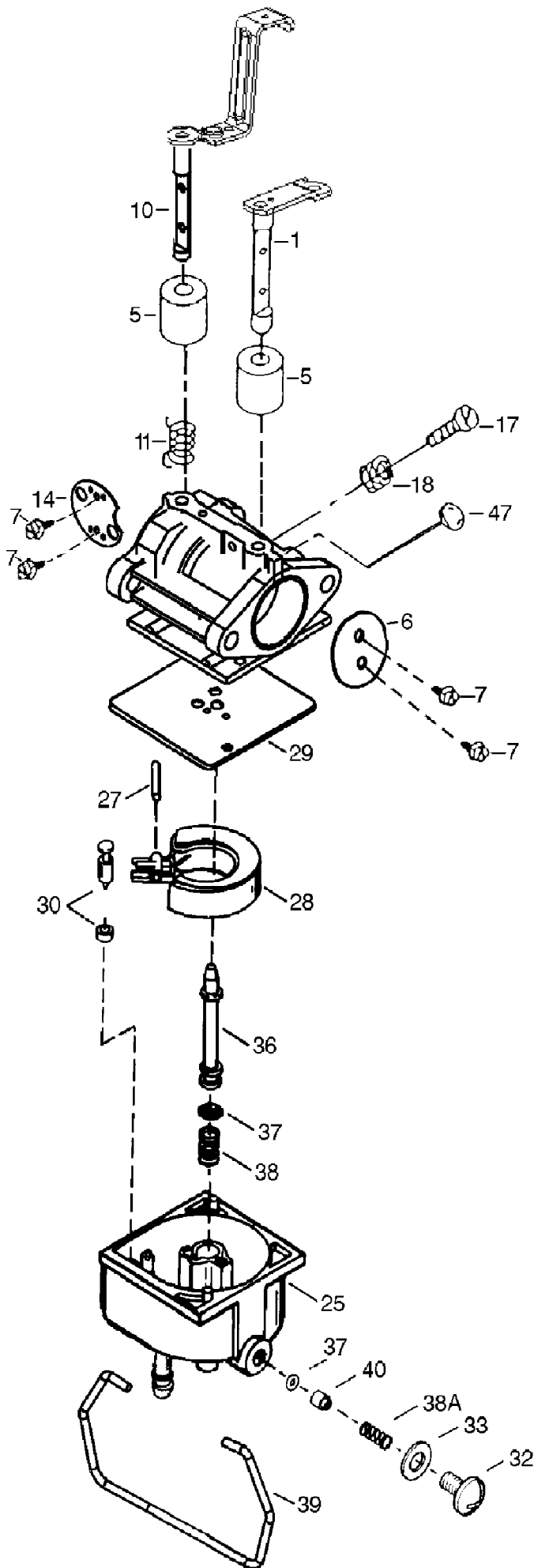


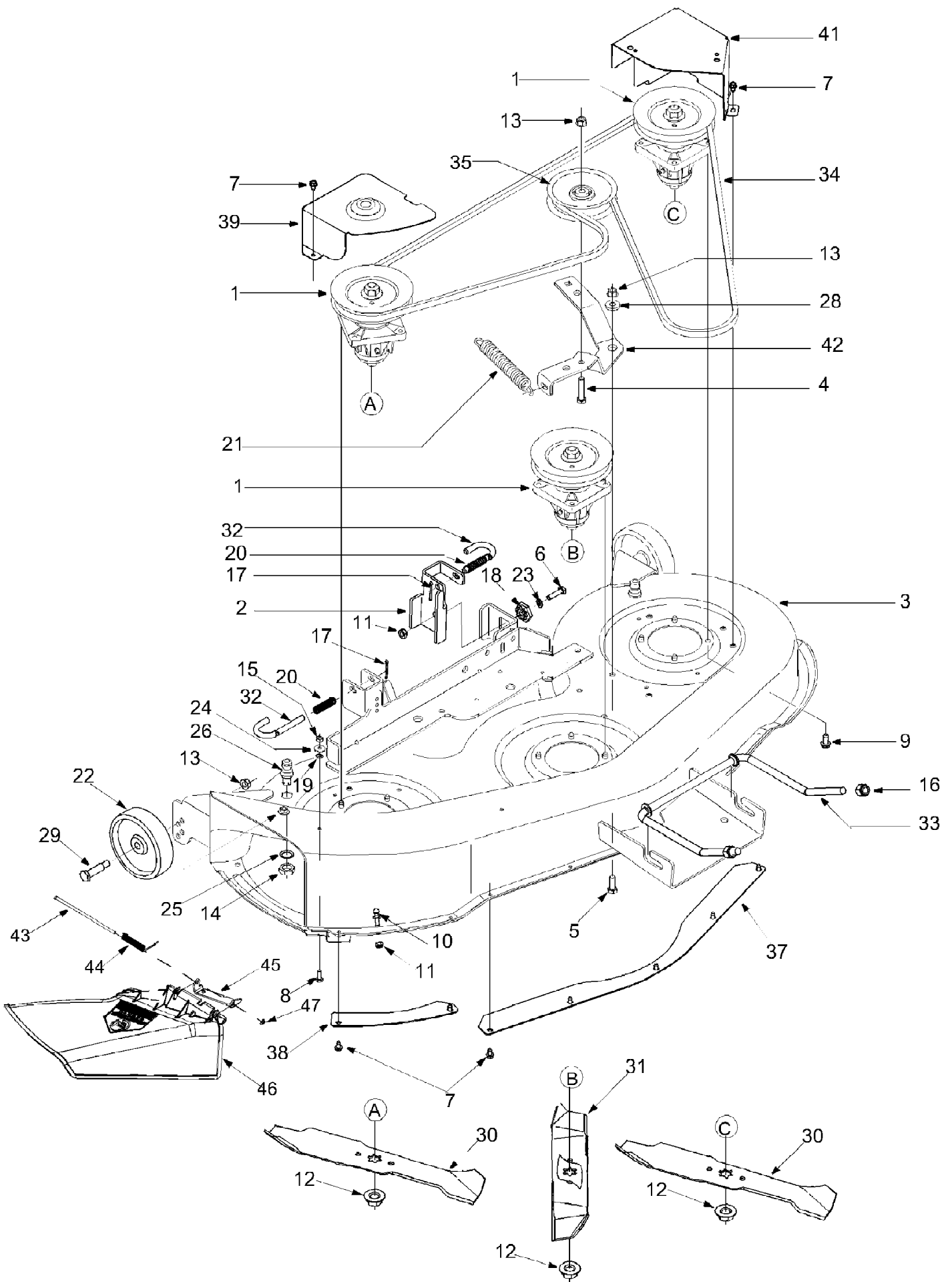
13A6606H790 LT-2200 (2004)
Carburetor



13A6606H790 LT-2200 (2004)
Carburetor

Page 2 of 31

Ref #	Part Number	Qty	S/P/F	Description
	TC-640221	1	/P	Carburetor (Incl 184 of Engine Parts Lists)
1	TC-640216	1		Throttle Shaft & Lever Assembly
5	TC-640037	1		Dust Seal
6	TC-640038	1		Throttle Shutter
7	TC-650506	1		Throttle & Choke Shutter Screws
10	TC-640217	1		Choke Shaft & Lever Assembly
11	TC-632785	1		Choke Return Spring
14	TC-64077	1		Choke Shutter
17	TC-651025	1		Throttle Crack Screw/Idle Speed Screw
18	TC-630766	1		Tension Spring
25	TC-640220	1		Float Bowl Assembly
?25A	TC-730649	1	/P	Float Bowl Repair Kit
27	TC-632544	1		Float Shaft
28	TC-632543	1	/P	Float
29	TC-640047	1	/P	Float Bowl to Body Gasket
30	TC-632709	1	/P	Inlet Needle & Seat
32	TC-640041	1		Bowl Drain Screw
33	TC-27110A	1		Bowl Drain Washer
36	TC-640067	1		Main Nozzle Tube
37	TC-632547	1		O-Ring
38	TC-632545	1	/P	Spring, Main Nozzle Tube
38A	TC-36918	1		Spring
39	TC-640218A	1		Float Bowl Retainer
40	TC-640219	1		Main Fuel Jet
47	TC-630748	1		Welch Plug, Idle Mixing Well



13A6606H790 LT-2200 (2004)
Deck Assembly

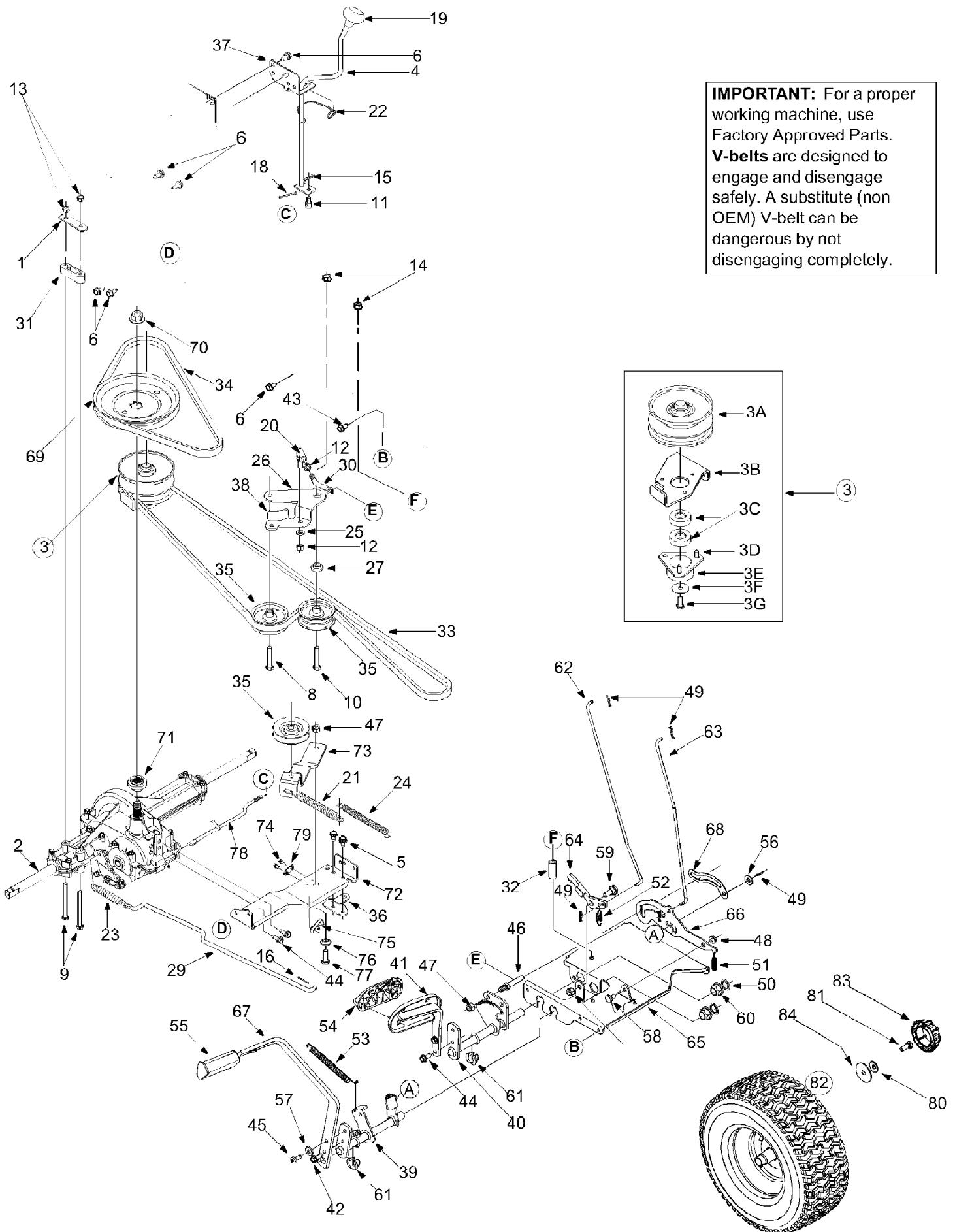
Page 4 of 31

Ref #	Part Number	Qty	S/P/F	Description
1	618-04137	1	S	Pulley-Spindle Assembly
1	17983	1		Bearing Shield Not Shown
1	619-0042A	1	/P	Spindle Housing Not Shown
1	712-0417A	1	/P	Flaneg Nut:5/8-18 Not Shown
1	937-3000	1	/P	Grease Fitting:3/16:LNC #70:DRI Not Shown
1	753-06348	1	/P	Spindle Shaft: 6.11 LG. Not Shown, Replaces 738-1186 Shaft 6.05 Lg
1	941-0919	1	/P	Ball Bearing:20X47X14:62 Not Shown
1	750-0952	1		Spacer:.792 X 1.060 X 1.8 Not Shown
1	756-1188	1		Deck Pulley:5.75 DIA Not Shown
2	683-0254	1	S	Deck Hanger Bracket Assembly
3	683-04104	1	S	Deck Assembly w/ Nozzle
4	710-0347	1	/P	Hex Bolt 3/8-16 x 1.75
5	710-0514	1	/P	Hex Bolt 3/8-16 x 1.0
6	710-0528	1	/P	Hex Bolt 5/16-18 x 1.25
7	710-0599	1	/P	TT Screw 1/4-20 x 0.5
8	710-0751	1	/P	Hex Bolt 1/4-20 x 0.620
9	710-1260A	1	/P	LD Screw 5/16-18 x 0.75
10	711-04069	1	S	Grasscatcher Pin
11	712-0324	1	/P	Lock Nut 1/4-20
12	712-0417A	1	/P	Flange Nut
13	712-0431	1	S	Flanged Lock Nut 3/8-16
14	712-0641	1	S	Hex Nut M16
15	712-3006	1	/P	Hex Nut
16	712-3083	1	/P	Hex Lock Nut 1/2-13
17	714-0111	1	S	Cotter Pin
18	717-04074	1	S	Gear: Deck Adjustment
19	726-0233	1	/P	Push Nut
20	732-0306A	1	S	Compression Spring
21	732-0594A	1	S	Extension Spring
22	734-0973	1	/P	Deck Wheel
23	736-0119	1	S	Lock Washer
24	736-0270	1	/P	Bell Washer
25	736-0760	1	S	Lock Washer
26	737-04003B	1	S	Nozzle
27	737-3007	1		Grease
28	738-0372B	1	/P	Shoulder Spacer
29	738-0373	1	S	Shoulder Screw 3/8-16 x 1.5
30	742-0611A	1	S	Blade 16.28 Lg.: Three-in-One
31	742-0612A	1	S	Blade 14.88 Lg.: Three-in-One
32	747-1116	1	/P	Deck Release Handle
33	747-1130B	1	/P	Deck Rod: Front Adjustment
34	754-04033	1	S	V Belt
35	756-1229	1		Idler Pulley
36	771-11725A	1		Danger Tag
37	783-0141	1		Deck Skirt: Center
38	783-0142	1	S	Deck Skirt RH
39	783-0805C	1	/P	Belt Cover
41	783-1348A	1	S	Belt Cover
42	783-1421	1	S	Idler Bracket
43	711-0792	1	S	Hinge Pin
44	732-0602A	1	/P	Compression Spring

13A6606H790 LT-2200 (2004)
Deck Assembly

Ref #	Part Number	Qty	S/P/F	Description
45	703-1693A	1	/P	Mounting Bracket
46	731-1031C	1		Deflector: Discharge Chute
47	726-0106	1	S	Speed Nut

13A6606H790 LT-2200 (2004)
Drive & Wheels Rear



13A6606H790 LT-2200 (2004)
Drive & Wheels Rear

Page 7 of 31

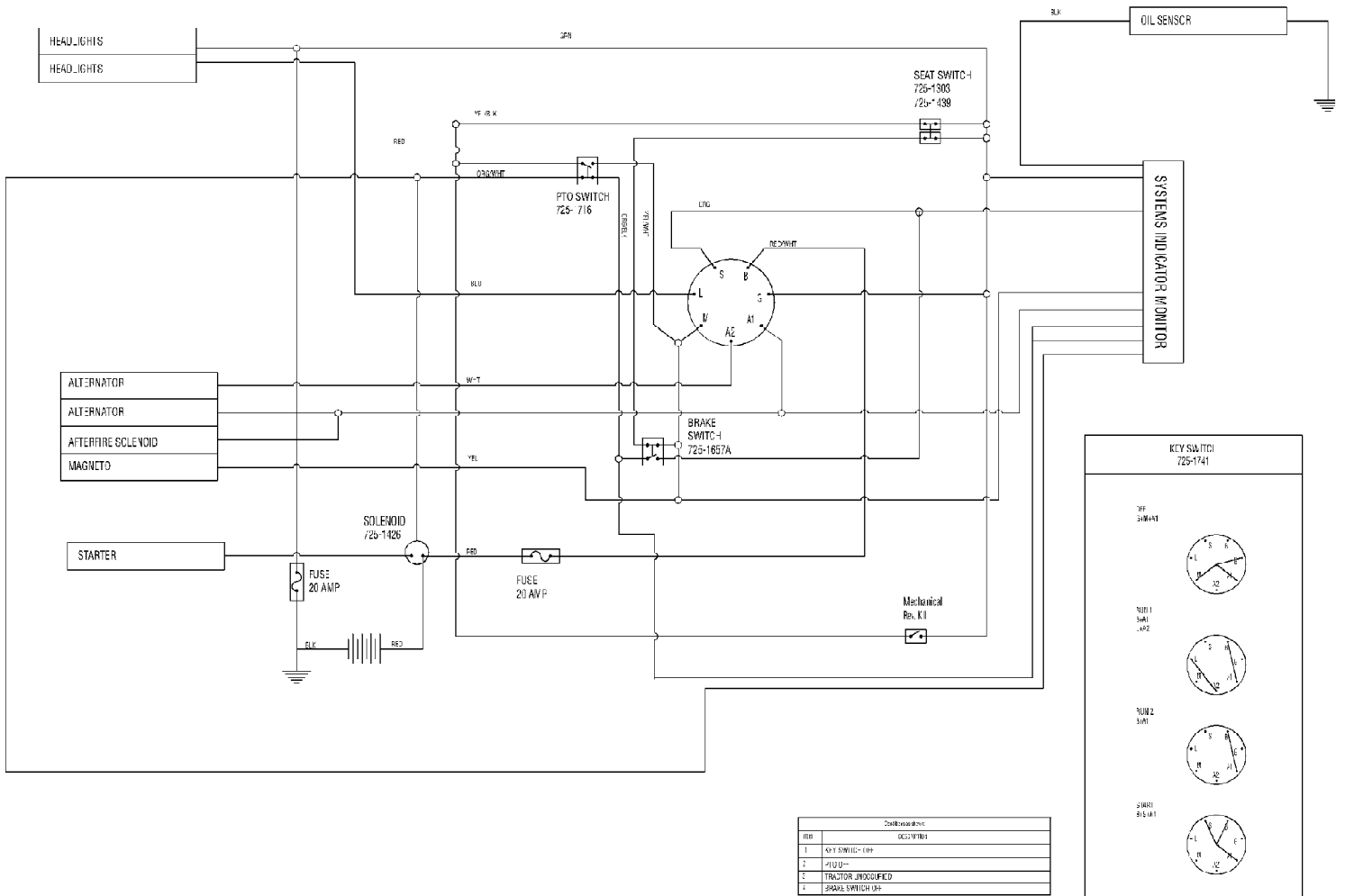
Ref #	Part Number	Qty	S/P/F	Description
1	17840	1	S	Mounting Bracket
2	618-04133	1	S	Drive Assembly
3	618-04147	1	S	Variable Spd. Pulley Assembly
3A	656-0059B	1	S	Var. Spd. Pulley
3B	683-04129	1	S	Bracket: Variable Speed
3C	741-0600	1	S	Ball Bearing
3D	710-0642	1	/P	TT Screw 1/4-20 x 0.75
3E	718-04012	1	/P	Cup: Bearing
3F	736-0362	1	/P	Flat Washer
3G	710-0627	1	/P	Hex Bolt 5/16-24 x 0.75
4	647-04020	1		Shift Lever Assembly
5	710-0607	1	/P	TT Screw 5/16-18 x 0.5
6	710-0726	1	/P	AB Screw 5/16-12 x 0.75
7	710-0809	1		TT Screw 1/4-20 x 1.25
8	710-1007	1	/P	TT Sems Screw 3/8-16 x 1.5
9	710-1266	1	/P	Hex Bolt 5/16-18 x 3.5
10	710-3144	1	/P	Hex Bolt 3/8-16 x 2.0
11	711-0736	1	/P	Ferrule
12	712-0241	1	/P	Hex Nut 3/8-24
13	712-0429	1	S	Hex Lock Nut 5/16-18
14	712-0431	1	S	Flange Lock Nut 3/8-16
15	714-0104	1	S	Hairpin Clip
16	714-0111	1	S	Cotter Pin
17	714-0209	1	S	Hairpin Clip
18	714-0470	1	S	Cotter Pin
19	720-04028	1		Shift Knob
20	723-3018	1	S	Ball Joint
21	732-0384	1	S	Extension Spring
22	732-0525	1		Spring Clip
23	732-0716	1	S	Extension Spring
24	732-0963	1		Extension Spring
25	736-0169	1	S	Lock Washer 3/8
26		1		Grease Purchase locally
27	738-0372B	1	/P	Shoulder Spacer
28	747-04146	1	S	Shift Rod
29	747-04164	1		Brake Rod
30	747-1127	1		Idler Adj. Rod
31	748-0334	1	S	Spacer: Transaxle
32	750-0566A	1	/P	Spacer
33	754-0467	1	S	V Belt
34	754-0468	1	S	V Belt
35	756-0981A	1	S	Flat Idler Pulley
36	783-04283	1		Shift Bracket
37	783-04360	1		Shift Bracket
38	783-04442	1		Double Idler Bracket: Center
39	647-0031C	1	S	Brake Control Assembly
40	647-0032A	1	S	Speed Control Assembly
41	683-0266	1		Drive Pedal Assembly
42	710-0650	1	/P	TT Screw 5/16-18 x 0.875
43	710-0726	1	/P	AB Screw 5/16-12 x 0.75
44	710-1260A	1	/P	LD Screw 5/16-18 x 0.75
45	710-1611B	1	/P	TT Screw 5/16-18 x 0.75
46	711-04159	1		

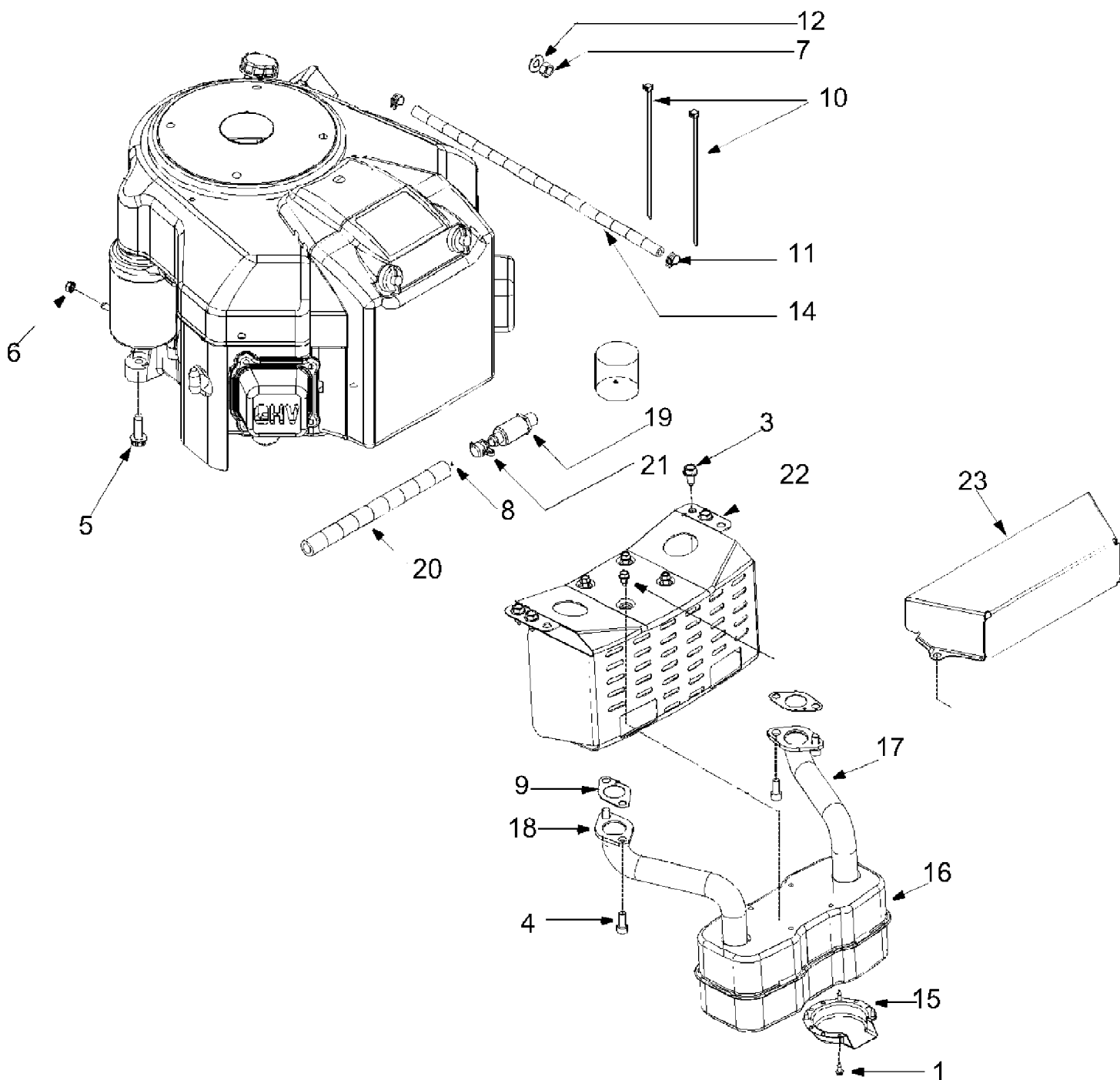
13A6606H790 LT-2200 (2004)
Drive & Wheels Rear

Page 8 of 31

Ref #	Part Number	Qty	S/P/F	Description
47	712-0130	1	/P	Hex Lock Nut 3/8-16
48	712-3004A	1	/P	Flange Lock Nut
49	714-0104	1	S	Cotter Pin
50	726-04028	1		Push Nut
51	732-0335	1		Compression Spring
52	732-0955	1		Extension Spring
53	732-0963	1		Extension Spring
54	735-0662	1		Control Pad
55	735-3049	1	S	Brake Pad
56	736-0262	1	/P	Flat Washer
57	736-3008	1	S	Flat Washer
58	738-0155	1	S	Shoulder Screw
59	738-0380	1	S	Shoulder Screw
60	741-0225	1	S	Hex Flange Bearing
61	741-3065B	1	/P	Hex Flange Bearing: Split
62	747-04093	1		Brake Lock Rod
63	747-04096	1		Cruise Control Rod
64	748-04039	1	S	Cruise Latch
65	783-0653F	1	S	Steering Support Bracket
66	783-0732	1	S	Lock-Out Bracket
67	783-0773A	1		Brake Pedal
68	783-0780B	1	/P	Neutral Return Bracket
69	756-04002	1	S	Transmission Pulley
70	712-0700	1	/P	Flange Nut 9/16-18
71	718-0758A	1	S	Pulley Hub
72	683-04055	1	S	Transmission Torque Bracket
73	683-04130	1	S	Idler Bracket
74	710-0227	1	/P	AB Screw #8-18 x 0.5
75	725-1644	1		Spring Switch
76	750-0736	1	S	Shoulder Spacer
77	710-0514	1	/P	Hex Bolt 3/8-16 x 1.0
78	747-04146	1	S	Shift Rod
79	726-0320	1	S	Insulator Nut Plate
80	736-0242	1	/P	Bell Washer
81	710-0627	1	/P	Hex Cap Screw
82	634-0177	1	/P	Wheel Assembly
82	634-0070	1	/P	Rim Assembly Not Shown
82	734-0255	1	S	Air Valve Not Shown
82	734-1873	1		Tire Not Shown
83	731-2290A	1	/P	Hub Cap
84	736-0430	1	/P	Flat Washer

13A6606H790 LT-2200 (2004)
Electrical Diagrams

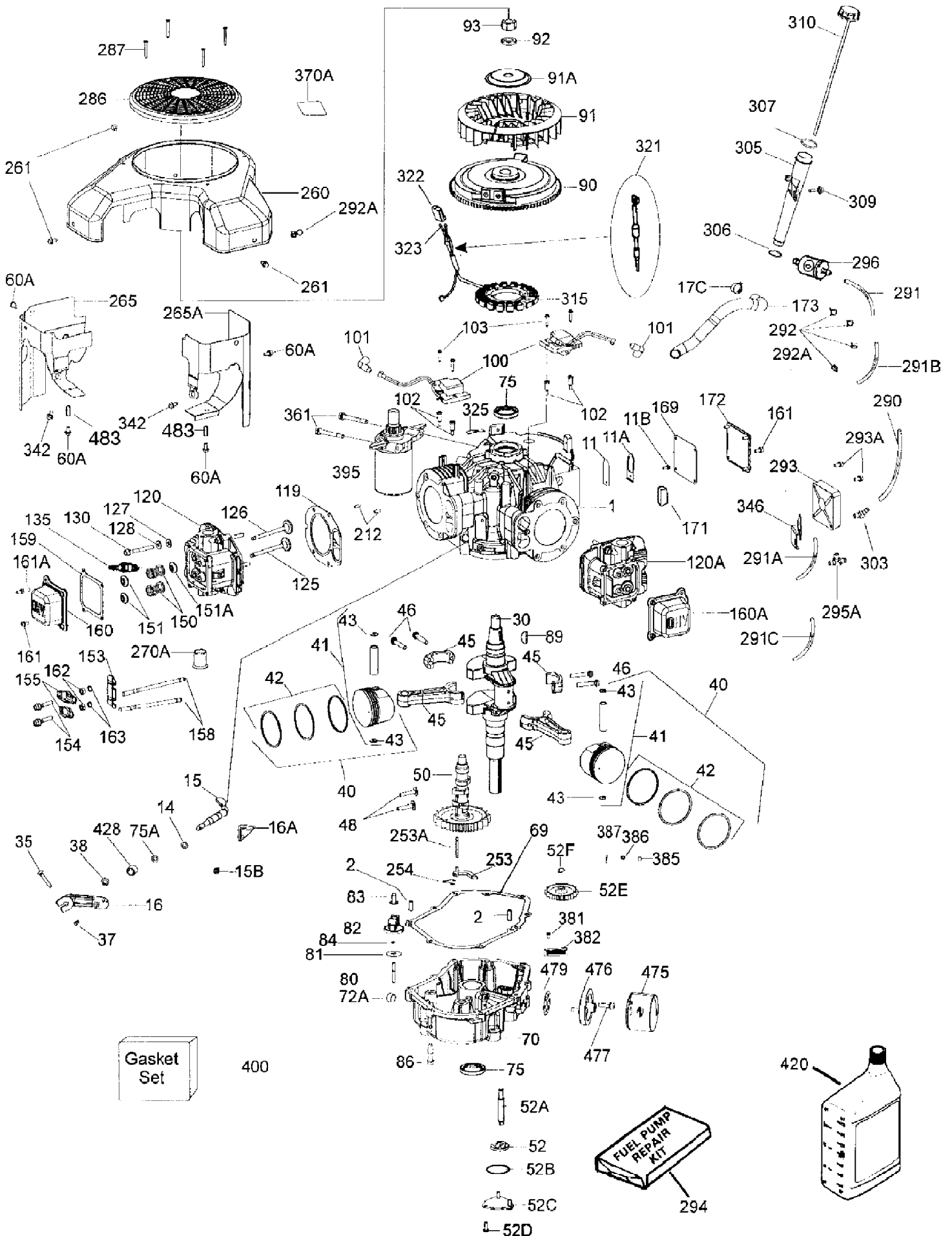




13A6606H790 LT-2200 (2004)
Engine Accessories

Page 11 of 31

Ref #	Part Number	Qty	S/P/F	Description
1	710-0227	1	/P	AB Screw #8-18 x 0.5
2	710-0599	1	/P	TT Screw 1/4-20 x 0.5
3	710-0726	1	/P	AB Screw 5/16-12 x 0.5
4	710-1314A	1	/P	Socket Hd Scr 5/16-18 x .750
5	710-1315	1	/P	TT Screw 3/8-16 x 1.25
6	712-0271	1	/P	Sems Nut
7	712-3017	1	S	Hex Nut 3/8-16
8	721-0331	1		Pipe Sealant
9	721-0460	1		Exhaust Gasket
10	725-0157	1	/P	Cable Tie
11	726-0205	1	/P	Hose Clamp
12	736-0300	1	S	Flat Washer
13		1		SAE 30W Oil
14	751-0535	1		Fuel Line Hose
15	751-0564A	1	S	Muffler Deflector
16	751-0616A	1	S	Muffler
17	751-0813A	1	/P	Exhaust Pipe LH
18	751-0814A	1	/P	Exhaust Pipe RH
19	751-3140	1	S	Oil Drain
20	751-3141	1	S	Oil Drain Hose extension
21	751-3142	1		Oil Drain Cap
22	783-0615C	1	S	Muffler Bracket
23	783-0625C	1	/P	Heat Shield



13A6606H790 LT-2200 (2004)
Engine List 1

Page 13 of 31

Ref #	Part Number	Qty	S/P/F	Description
1		1		UNKNOWN
2	TC-27652	1		Dowel Pin
11	TC-36302	1		Check Valve
11A	TC-36303	1		Breather Plate
11B	TC-650902	1		Screw, 10-32 x 7/16"
14	TC-37363	1		Washer
15	TC-37364	1		Governor Rod
15B	TC-650738	1		Screw, 1/4-20 x 5/8"
16	TC-37413	1		Governor Lever
16A	TC-37414	1		Governor Spring Bracket
17C	TC-37429	1		Breather Tube Clamp
30	TC-37371	1	S	Crankshaft
35	TC-651069	1		Screw, Carriage 1/4-20 x 1-1/2"
37	TC-650456	1		Lock Nut, 1/4-20
38	TC-37365	1		Retaining Ring
40	TC-40040	1		Piston, Pin & Ring Set (Std.)
40	TC-40041	1		Piston, Pin & Ring Set (.010" OS)
41	~N/A	1		Piston & Pin Ass'y. (Std.) (Incl. 43)
41	~N/A	1		Piston & Pin Ass'y.(.010" OS) (Incl.43)
42	TC-40013	1		Ring Set (Std.)
42	TC-40014	1		Ring Set (.010" OS)
43	TC-27888	1		Piston Pin Retaining Ring
45	TC-37372	1		Connecting Rod Ass'y. (Incl. 46)
46	TC-651063	1		Connecting Rod Bolt
50	TC-37374	1	S	Camshaft (MCR)
52	TC-37305	1		Oil Pump Ass'y.
52A	TC-37382	1		Oil Pump Shaft
52B	TC-36333	1		"O" Ring
52C	TC-36334	1		Oil Pump Cover (Incl. 52B)
52D	TC-650888	1		Screw, T-30 1/4-20 x 43/64"
52E	TC-37383	1		Oil Pump Gear
52F	TC-37384	1		Oil Pump Gear Retaining Ring
60A	TC-650773	1		Screw, 1/4-20 x 1/2"
69	TC-37377	1	/P	Mounting Flange Gasket Kit (P)
70	TC-37378	1		Mounting Flange (Incl. 72, 72A, 75, 80, 381-387)
72A		1		UNKNOWN
75	TC-36301	1	/P	Oil Seal (1 in Ref 1, 1 in Ref 70)
75A	TC-37369	1		Oil Seal (Governor Shaft)
80	TC-37379	1		Governor Shaft
81	TC-37381	1		Washer (Governor Shaft)
82	TC-37380	1		Governor Gear Ass'y.
83	TC-35322	1		Governor Spool
84	TC-29193	1		Retaining Ring
86	TC-651064	1		Screw, 5/16-18 x 1-15/32"
90	TC-611254	1		Flywheel (Incl. 91 & 91A)
91	TC-611241	1	S	Flywheel Fan
91A	TC-611242	1		Flywheel Retainer
92	TC-651082	1		Belleville Washer
93	TC-650594	1		Flywheel Nut
100	TC-37395	1	/P	Solid State Ignition (Incl. 101)
101	TC-610118	1		Spark Plug Cover

13A6606H790 LT-2200 (2004)
Engine List 1

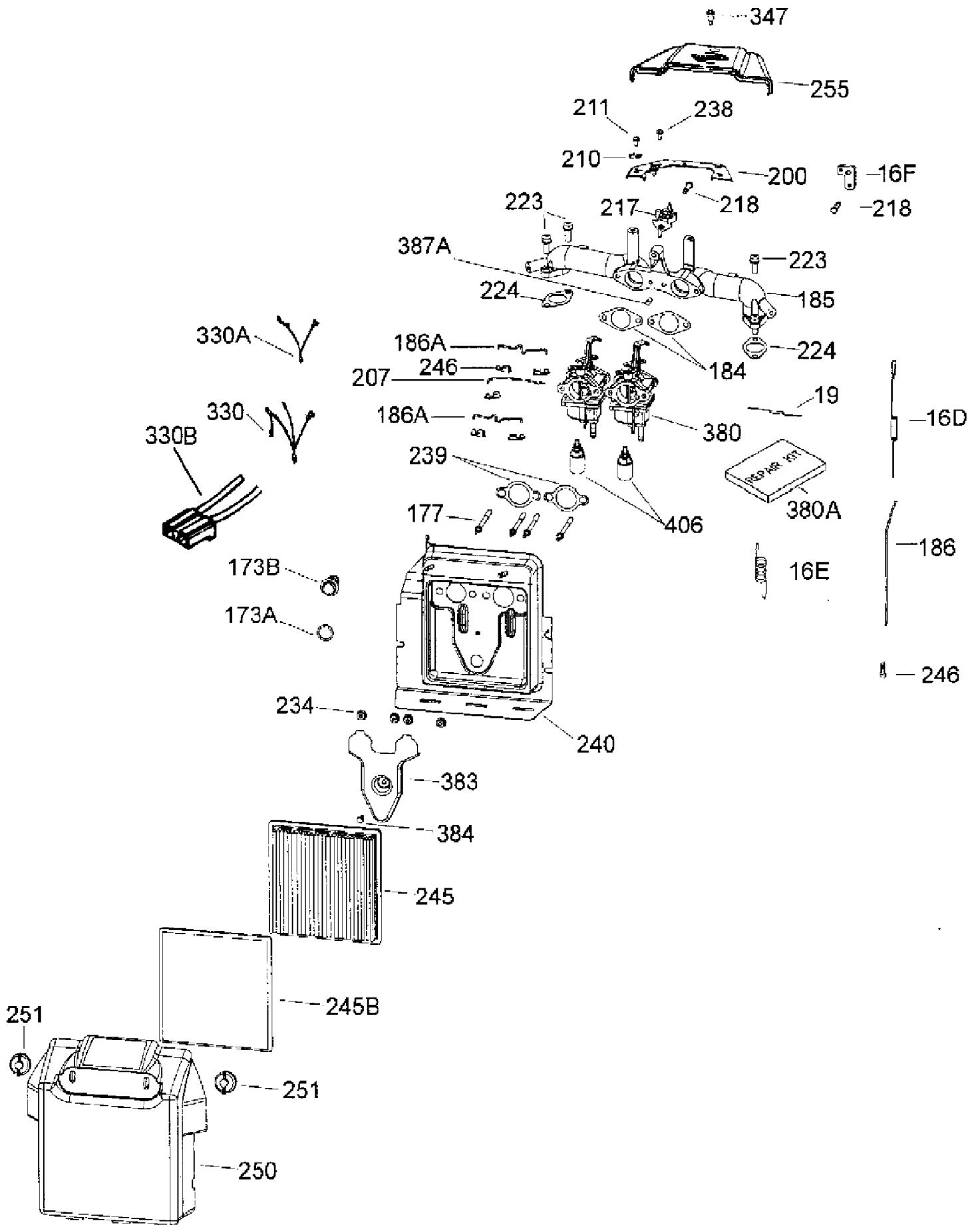
Page 14 of 31

Ref #	Part Number	Qty	S/P/F	Description
102	TC-651024	1		Solid State Mounting Stud
103	TC-651007	1		Screw, T-15 10-24 x 15/16"
119	TC-37388	1		Cylinder Head Gasket Kit (P)
120	TC-37387	1		Cylinder Head, Opp. Breather Side
120A	TC-37389	1		Cylinder Head, Breather Side
125	TC-36934	1		Exhaust Valve (Std.)
126	TC-36935	1		Intake Valve (Std)
127	TC-650691	1		Flat Washer
128	TC-650690	1		Belleville Washer
130	TC-650697A	1		Screw, 5/16-18 x 2-1/2" (Head Mount)
135	TC-34645	1	/P	Spark Plug (RN4C)
150	TC-33507	1		Valve Spring
151	TC-33508	1		Valve Keeper Retainer & Cap Set
151A	TC-35862	1		Valve Seal
153	TC-37390	1		Push Rod Guide
154	TC-650945	1		Rocker Arm Stud
155	TC-35950	1		Rocker Arm
158	TC-37391	1	/P	Push Rod
159	TC-35952	1	/P	Rocker Arm Cover Gasket Kit (P)
160	TC-35953A	1		Rocker Arm Cover, Opp. Breather Side
160A	TC-37392	1		Rocker Arm Cover, Breather Side
161	TC-30063	1		Screw, T-30 1/4-20 x 1/2"
162	TC-650947	1		Rocker Arm Jam Nut, 5/16-24
163	TC-650890	1		Internal Lock Washer, 5/16"
169	TC-37367	1		Valve Cover Gasket Kit (P)
171	TC-37366	1		Breather Element
172	TC-37368	1		Valve Cover
173	TC-37393	1	S	Breather Tube
212	TC-37370	1		Bushing
253	TC-37376	1		Compression Release Weight
253A	TC-37424	1		Compression Release Pin
254	TC-37375	1		Compression Release Spring
260	TC-37398	1		Blower Housing (Red)
261	TC-650737	1		Screw, 1/4-20 x 1/2"
265	TC-37627	1		Cylinder Head Cover, Opp. Breather
265A	TC-37628	1		Cylinder Head Cover, Breather Side
270A	TC-35829A	1		Exhaust Port Liner
286	TC-37394	1		Flywheel Screen
287	TC-651066	1		Screw, T-20 8-18 x 1-15/32"
290	TC-30962	1		Fuel Line (16.75")
291	~N/A	1		Fuel Line (8-1/4")
291A	~N/A	1		Fuel Line (8-1/4")
291B		1		UNKNOWN
291C	TC-34357	1		Fuel Line (6.75")
292	TC-26460	1	/P	Fuel Line Clamp
292A	TC-37399	1	S	Fuel Line Retainer
293	TC-35787	1	S	Pulse Pump
293A	TC-650931	1		Screw, 8-32 x 1-1/2"
294		1		UNKNOWN
295A	TC-37422	1	S	Fuel Fitting
296	TC-37768	1	/P	Fuel Filter (Incl. 292)
303	TC-32958	1		Pulse Pump/Fuel Fitting
305	TC-36349	1		Fuel Fitting

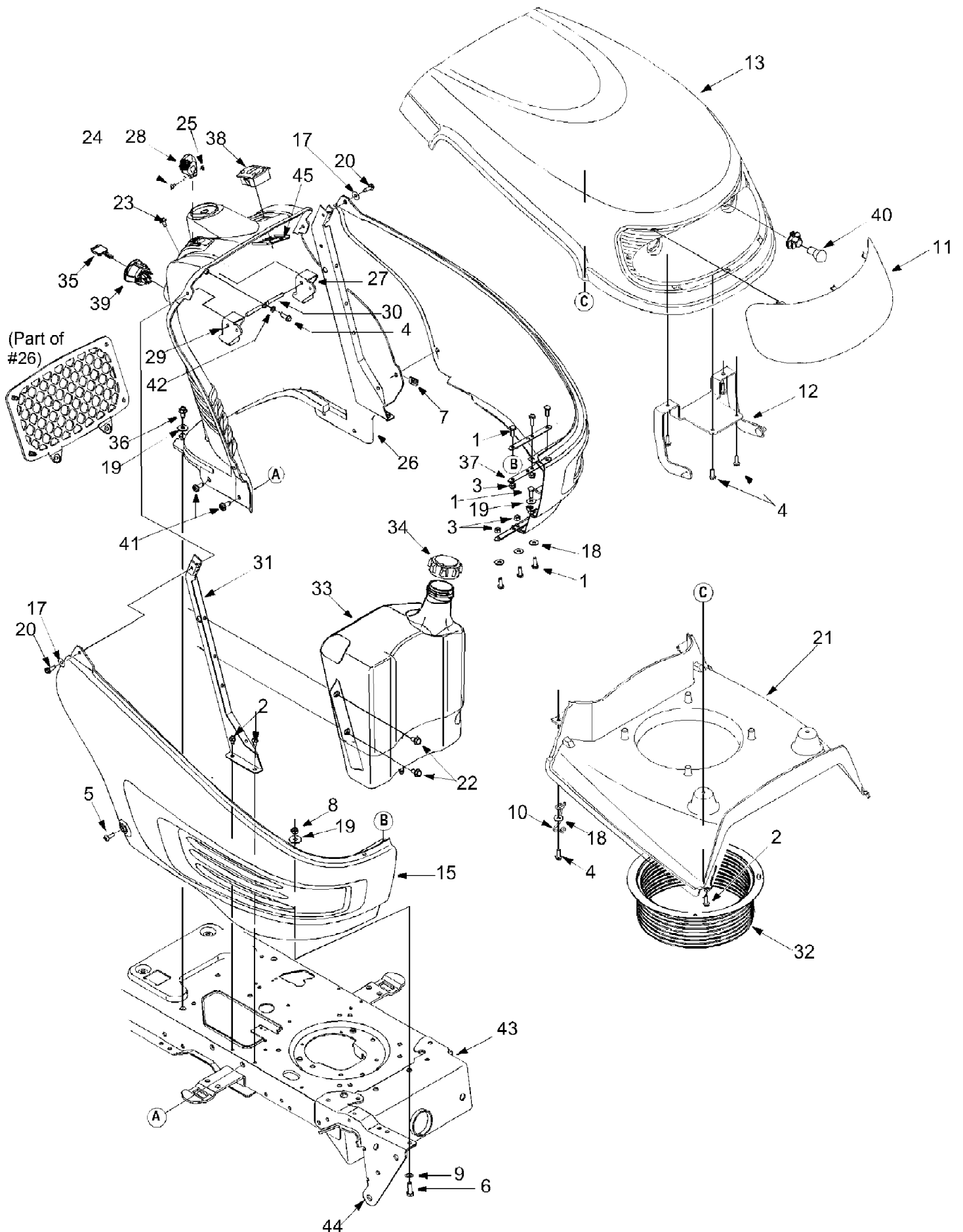
13A6606H790 LT-2200 (2004)
Engine List 1

Page 15 of 31

Ref #	Part Number	Qty	S/P/F	Description
306	TC-37401	1		O-Ring (Oil Fill, Bottom) Kit (P)
309	TC-650974	1		Screw, 1/4-20 x 57/64"
310	TC-37421	1		Dipstick
315	TC-611292	1		Alternator Coil (16 Amp) (Incl. 322-323B)
321		1		UNKNOWN
322	TC-611281	1		Connector Body
323	TC-611276	1		Terminal
325	TC-36342	1		Wire Clip
342	TC-651031	1		Screw, 1/4-20 x 9/16" (Ref. 240 & 265)
346	TC-36413	1		Fuel Pump Bracket
361	TC-651065	1		Screw, 5/16-18 x 2-3/8"
370A	TC-35274	1		Lubrication Decal
381	TC-650767	1		Screw, 8-32 x 27/64"
382	TC-36931	1		Oil Strainer Screen
385	TC-570673	1		Ball
386	TC-36329	1		Pressure Release Spring
387	TC-37652	1		Cotter Pin
395	TC-37284	1	/P	Electric Starter Motor (12 Volt)
400	TC-37423	1		Gasket Set (Incl. Items Marked PK in Notes)
420		1		UNKNOWN
428	TC-37362	1		Spacer
475	TC-36563	1	/P	Oil Filter
476	TC-36929	1	/P	Oil Filter Adaptor (Incl. 479)
477	TC-650378	1		Screw, T-30 5/16-18 x 1 3/32"
479	TC-36930	1		Oil Filter Adaptor Gasket Kit (P)
483	TC-37629	1		Cylinder Wrap Spacer



Ref #	Part Number	Qty	S/P/F	Description
16D	TC-37415	1		Governor Spring, Hi-speed
16E	TC-37417	1		Governor Idle Spring
16F	TC-37418	1		Bell Crank Lever
19	TC-37416	1		Throttle Spring
173A	TC-37410	1		Breather Tube Grommet
173B	TC-37409	1		Breather Tube Fitting
177	TC-651067	1		Carburetor Mounting Stud
184	TC-36352	1	/P	Carburetor to Intake Pipe Gasket Kit (P)
185	TC-37396	1		Intake Pipe (Incl. 387A)
186	TC-37404	1		Governor Link
186A	TC-37405	1		Choke Link
200	TC-37400	1		Control Bracket
207	TC-37406	1		Throttle Link
210	TC-27793	1	/P	Conduit Clip
211	TC-28942	1	/P	Screw, 10-32 x 3/8"
217	TC-37419	1		Control Lever
218	TC-651070	1		Screw, 10-32 x 1-1/4"
223	TC-650971	1		Screw, T-30 5/16-18 x 7/8"
224	TC-33515A	1		Intake Pipe Gasket (Pipe to Head) Kit (P)
234	TC-650928	1		Lock Nut, 1/4-20
238	TC-650902	1		Screw, 10-32 x 7/16"
239	TC-36358	1	/P	Air Cleaner Gasket Kit (P)
240	TC-37691	1		Air Cleaner Body Ass'y. (Incl. 239)
245	TC-37360	1	/P	Air Cleaner Filter (Paper)
245B	TC-37361	1	/P	Air Cleaner Pre-Filter (Poly)
246	TC-37407	1	/P	Connector Bushing Link
250	TC-37690	1		Air Cleaner Cover
251	TC-37689	1	/P	Wing Nut, 1/4-20 x 1-19/32"
255	TC-37420	1		Control Cover
330	TC-37739	1		Fuel Solenoid Wire Assembly (R & G)
330A	TC-37403	1		Fuel Solenoid Wire Assembly (Black)
330B		1		UNKNOWN
347	TC-650898A	1		Screw, 10-32 x 27/32"
380	TC-640221	1	/P	Carburetor (Incl. 184 & 428)
380A	TC-730649	1	/P	Carburetor Repair Kit
383	TC-37411	1		Carburetor Baffle
384	TC-30200	1	/P	Screw, 10-24 x 9/16" Self Tap
387A	TC-37397	1		Roll Pin
406	TC-611221	1	/P	Fuel Shut-Off Solenoid



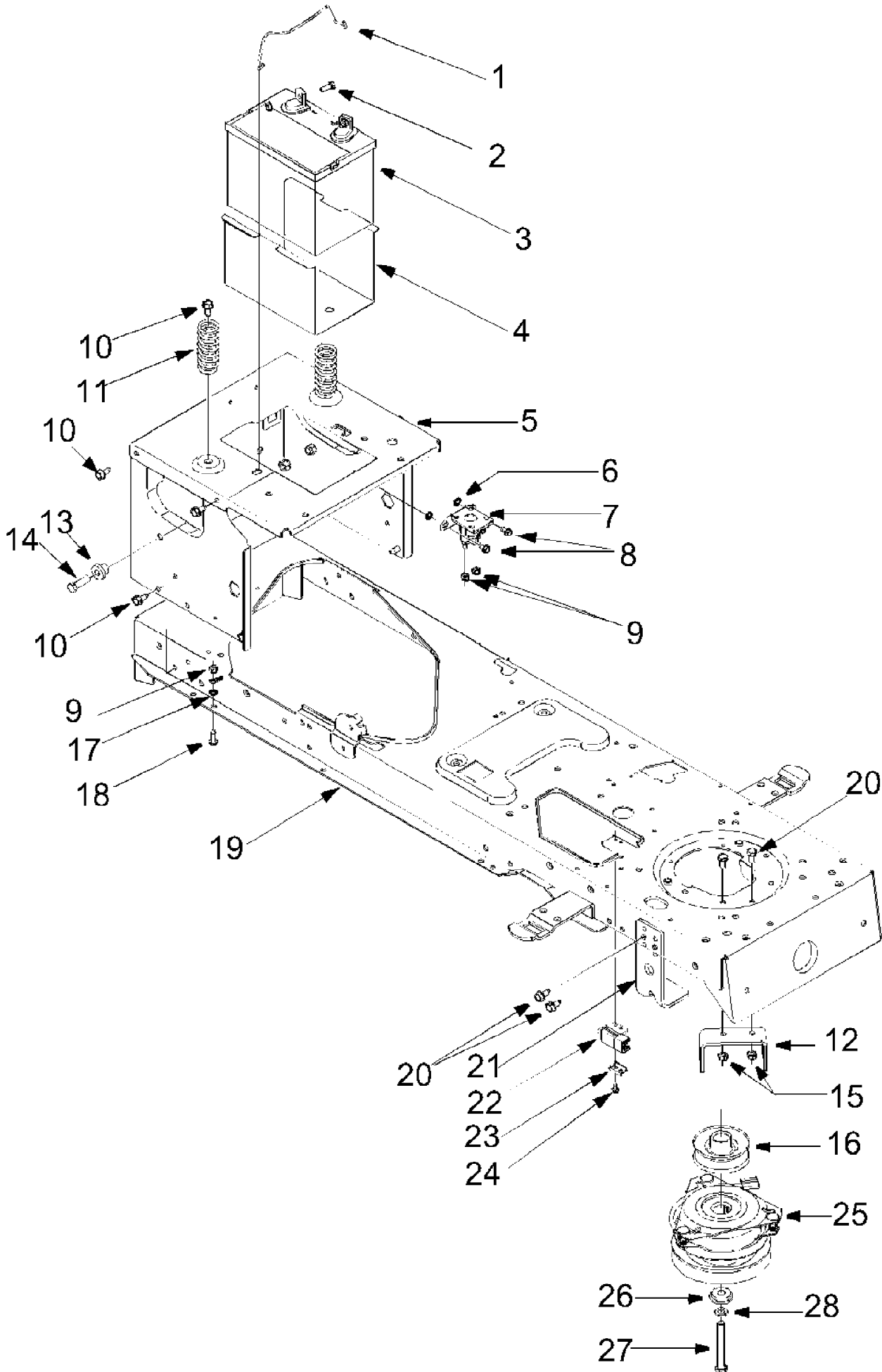
13A6606H790 LT-2200 (2004)
Hood And Fuel Tank

Page 19 of 31

Ref #	Part Number	Qty	S/P/F	Description
1	710-3015	1	/P	Hex Cap Screw, 1/4-20 x .75
2	710-0599	1	/P	Self-tapping Screw, 1/4-20 x .5
3	712-0324	1	/P	Lock Nut, 1/4-20
4	710-0895	1		Self-tapping Screw, 1/4-15 x .75
5	710-0924	1	/P	Pan Phillips Screw, 1/4-20 x .75
6	710-0376	1	/P	Hex Cap Screw, 5/16-18 x 1.0
7	712-0292	1	/P	U-type Speed Nut, 1/4-20
8	712-0429	1	S	Lock Nut, 5/16-18
9	726-0201	1		Speed Nut
10	747-2127	1		Hood Latch Rod
11	731-2286	1	S	Head Light Lens
12	683-0305	1	S	Hood Bracket Assembly
13	731-2283A	1	S	Hood
14	731-2327A	1	S	LH Side Panel
15	731-2328A	1	S	RH Side Panel
16	736-0329	1	S	Lock Washer, 1/4
17	736-0342	1		Flat Washer, .283 x .75 x .030
18	736-0173	1	/P	Flat Washer, .28 x .74 x .063
19	736-3078	1	/P	Flat Washer, .349 x 1.0 x .063
20	710-0809	1		Self-Tapping Screw, 1/4-20 x 1.25
21	731-2284	1		Hood Plenum w/o Intake Bellow
22	710-0604A	1	/P	Self-Tapping Screw, 5/16-18 x .625
23	710-1017	1	/P	Torx Self-Tapping Screw, 1/4-14 x .625
24	710-3217	1	/P	Torx Screw, #8-32 x .375
25	712-0142	1	/P	Hex Nut, 8-32
26	731-0069D	1	S	Dash Panel, 4-style
	735-04023	1		Cargo Net
	726-04029	1		Clips
27	731-04214	1		Parking Brake Button
28	731-1857	1		Throttle Control Lever
	746-1086	1	S	Throttle Cable
	746-1085A	1	S	Choke Control (Not Shown)
29	731-04213	1		Cruise Control Button
30	747-1155	1		Brake/Cruise Pivot Rod
31	783-04285	1	S	Dash Support Plate RH
	783-04323	1	S	Dash Support Plate LH
32	731-2232	1	S	Intake Bellow
33	751-0658E	1	/P	Fuel Tank, 3-gallon
34	751-0603	1	S	Fuel Cap
35	725-1745	1	S	Ignition Key w/ plastic cover
	725-1744	1	S	Ignition Key w/o plastic cover
36	710-0726	1	/P	Self-tapping Screw, 5/16-18 x .75
37	783-1000A	1	/P	Grille Support Bracket
38	725-04036	1	S	Systems Indicator Monitor
39	725-1741	1	S	Ignition Switch
40	625-0051	1	S	Headlight Assembly
41	710-1611B	1	/P	Self-tapping Screw, 5/16-18 x .75
42	736-0142	1	S	Flat Washer
43	783-0728	1		Pivot Bar Bracket
44	783-0726B	1	S	Pivot Bracket Support RH
	783-0727A	1	S	Pivot Bracket Support LH
	629-04083	1	S	Headlight Wire Harness
	629-1071	1	S	Headlight Wire Harness

13A6606H790 LT-2200 (2004)
Hood And Fuel Tank

Ref #	Part Number	Qty	S/P/F	Description
45	783-0462	1	/P	PTO Switch Bracket

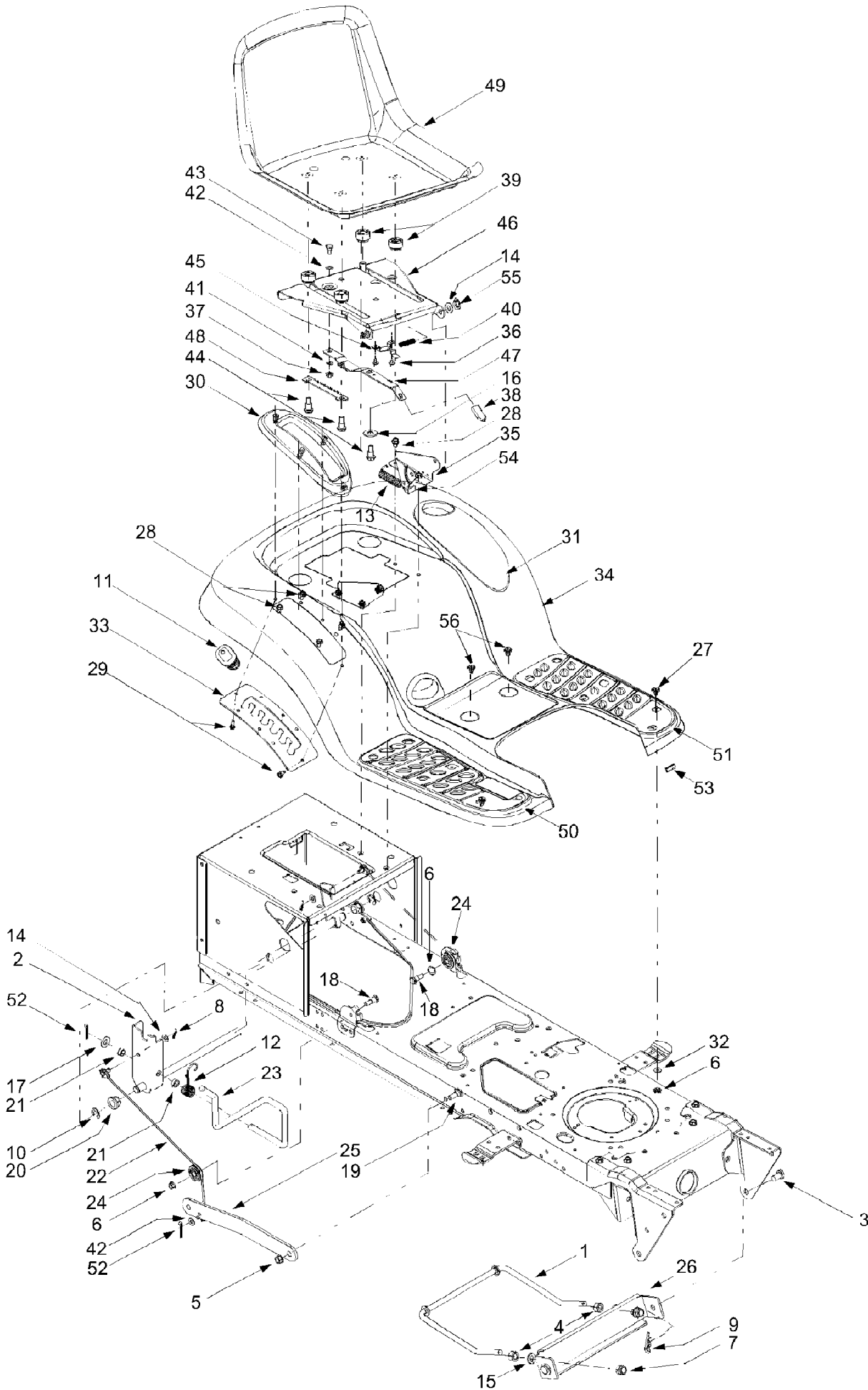


13A6606H790 LT-2200 (2004)
PTO & Battery

Page 22 of 31

Ref #	Part Number	Qty	S/P/F	Description
1	747-04121A	1		Battery Hold-Down Rod
2	710-0751	1	/P	Hex Cap Screw 1/4-20 x 0.62
3	725-1706A	1	S	Battery, 270 CCA
4	783-0349	1		Battery Tray
5	783-04329	1		Seat Bracket
6	736-0222	1	S	Lock Washer
7	725-1426	1	S	Solenoid 12 v., 100 amp.
8	710-0599	1	/P	TT Screw 1/4-20 x 0.5
9	712-0324	1	/P	Hex Lock Nut 1/4-20
10	710-0726	1	/P	AB Screw 5/16-12 x 0.75
11	732-04035	1		Compression Spring
12	783-1003	1	S	Clutch Bracket
13	738-04058	1		Spacer
14	710-3005	1	/P	Hex Bolt 3/8-16 x 1.25
15	712-0429	1	S	Hex Lock Nut
16	756-04078	1	S	Pulley: Single Speed
17	738-0143	1	/P	Shoulder Screw
18	710-0642	1	/P	TT Screw 1/4-20 x 0.75
19	683-04099	1		Lower Frame Assembly
20	710-3025	1	/P	Hex Bolt 5/16-18 x 0.625
21	783-04467	1		Deck Bracket
22	725-1657A	1	S	Switch
23	17962	1		Switch Plate
24	710-0224	1	S	Screw #10-16 x 0.5
25	717-04080	1	S	Clutch: Electric PTO
26	738-0785	1	S	Shoulder Spacer
27	710-3157	1	S	Hex Bolt 7/16-20 x 3.25
28	736-0171	1	S	Lock Washer

13A6606H790 LT-2200 (2004)
Seat, Fender, Deck Stabilizer



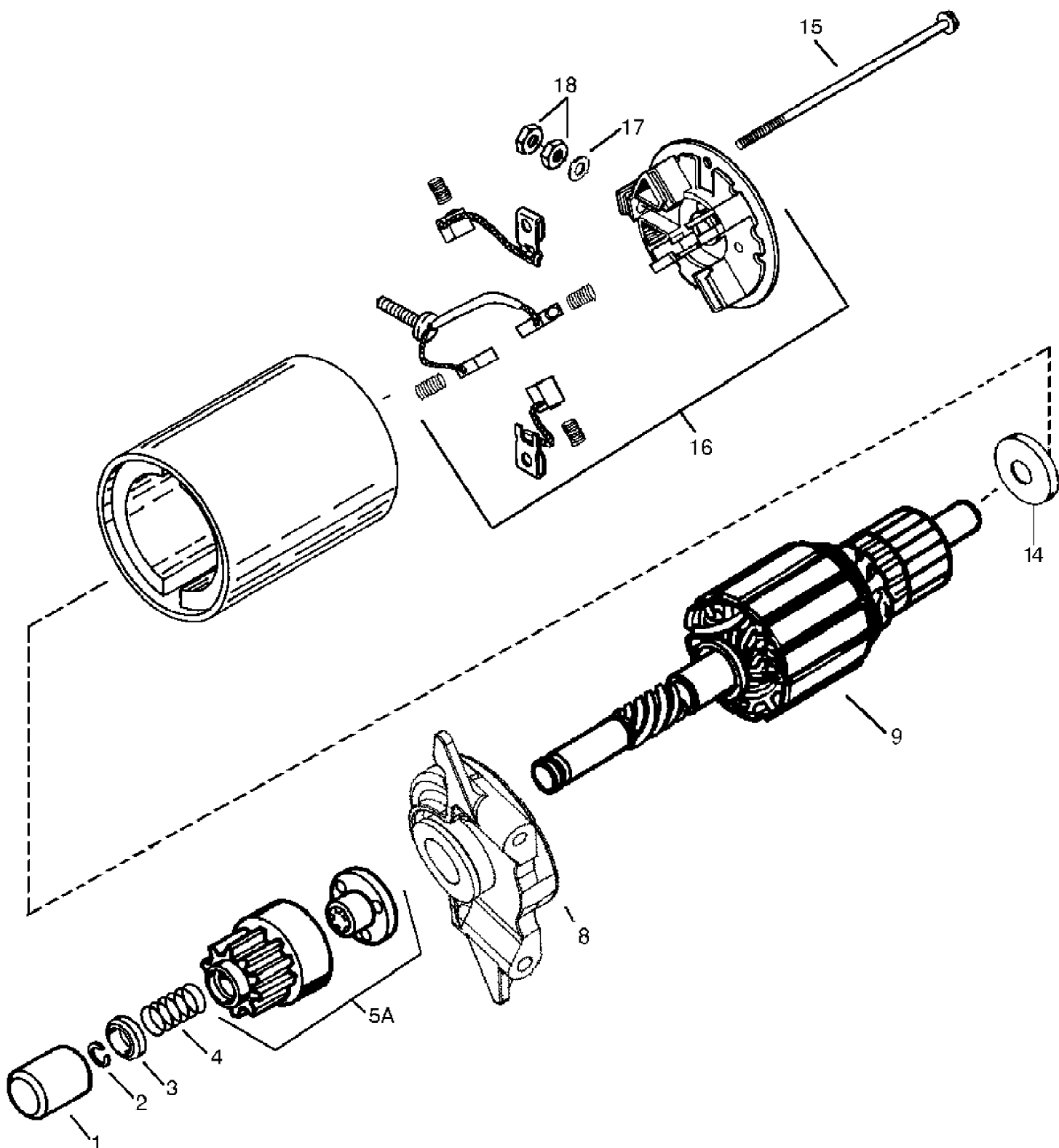
13A6606H790 LT-2200 (2004)
Seat, Fender, Deck Stabilizer

Page 24 of 31

Ref #	Part Number	Qty	S/P/F	Description
1	747-1130B	1	/P	Deck Stabilizer Rod
2	683-0197B	1	S	Lift Shaft Assembly
3	711-0332	1	S	Clevis Pin, .5 x .78
4	712-3083	1	/P	Lock Nut, 1/2-13
5	712-0130	1	/P	Lock Nut, 3/8-16
6	712-0429	1	S	Lock Nut, 5/16-18
7	712-3083	1	/P	Hex Nut, 1/2-13
8	714-0104	1	S	Internal Cotter Pin
9	714-04023	1	S	Internal Cotter Pin
10	716-0106A	1		E-ring
11	720-0311	1		Handle Grip
12	732-0874	1	/P	Torsion Spring
13	732-1027	1		Extension Spring, .872 x 3.4
14	736-0275	1	S	Flat Washer, 5/16
15	736-0921	1	S	Lock Washer, 1/2
17	736-3084	1	/P	Flat Washer, .51 x 1.12 x .06
18	738-0138A	1	/P	Hex Cap Screw, 5/16-18 x .62
19	738-0143	1	/P	Shoulder Screw, 3/8-16
20	741-0225	1	S	Hex Flange Bearing
21	741-0715	1	S	Snap Flange Bearing
22	746-0968	1		Lift Cable, 16.16
23	747-1111A	1	/P	Lift Handle
24	756-1154	1		Roller Pulley
25	783-0678A	1	S	Arm Lift
26	783-0720A	1	S	Deck Stabilizer Bracket
27	710-0602	1	/P	Self-tapping Screw 5/16-18 x 1.0
28	710-0604A	1	/P	Self-Tapping Screw, 5/16-18 x .625
29	710-0895	1		Self-Tapping Screw, 1/4-15 x .75
30	731-1990	1		Lift Lever Cover
31	731-1993	1		Cover w/ Cup Holder
32	736-3078	1	/P	Flat Washer, .349 x 1.0 x .063
33	783-0677	1	S	Lift Adjustment Bracket
34	783-04333	1		Fender
35	783-1489	1	S	Seat Mounting Bracket
36	710-1268	1	/P	Screw, #10-16 x .375
37	712-0324	1	/P	Hex Lock Nut, 1/4-20
38	720-0309A	1	/P	Seat Adjuster Grip
39	731-04074	1		Spacer
40	732-0499	1		Compression Spring, .41 x 1.5
41	736-0175	1	S	Spring Washer, .265 x .562 x .025
42	736-0204	1	/P	Flat Washer, .344 x .62 x .03
43	738-0137A	1	S	Shoulder Screw, .340 x .285, 1/4-20
44	738-0966	1	S	Shoulder Screw, .50 x .925, 3/8-16
45	783-0611	1		Seat Stop
46	783-0738A	1	S	Seat Pivot Bracket
47	783-0739	1		Seat Adjustment Lever
48	783-0753	1		Seat Adjustment Selector
49	757-04014A	1	S	Medium Back Seat, Black
50	735-0656	1		RH Foot Pad
51	735-0657	1		LH Foot Pad
	726-3046	1	/P	Foot Pad Clips (Not Shown)
52	714-0111	1	S	Cotter Pin
53	731-0511	1	/P	Trunk Strap

13A6606H790 LT-2200 (2004)
Seat, Fender, Deck Stabilizer

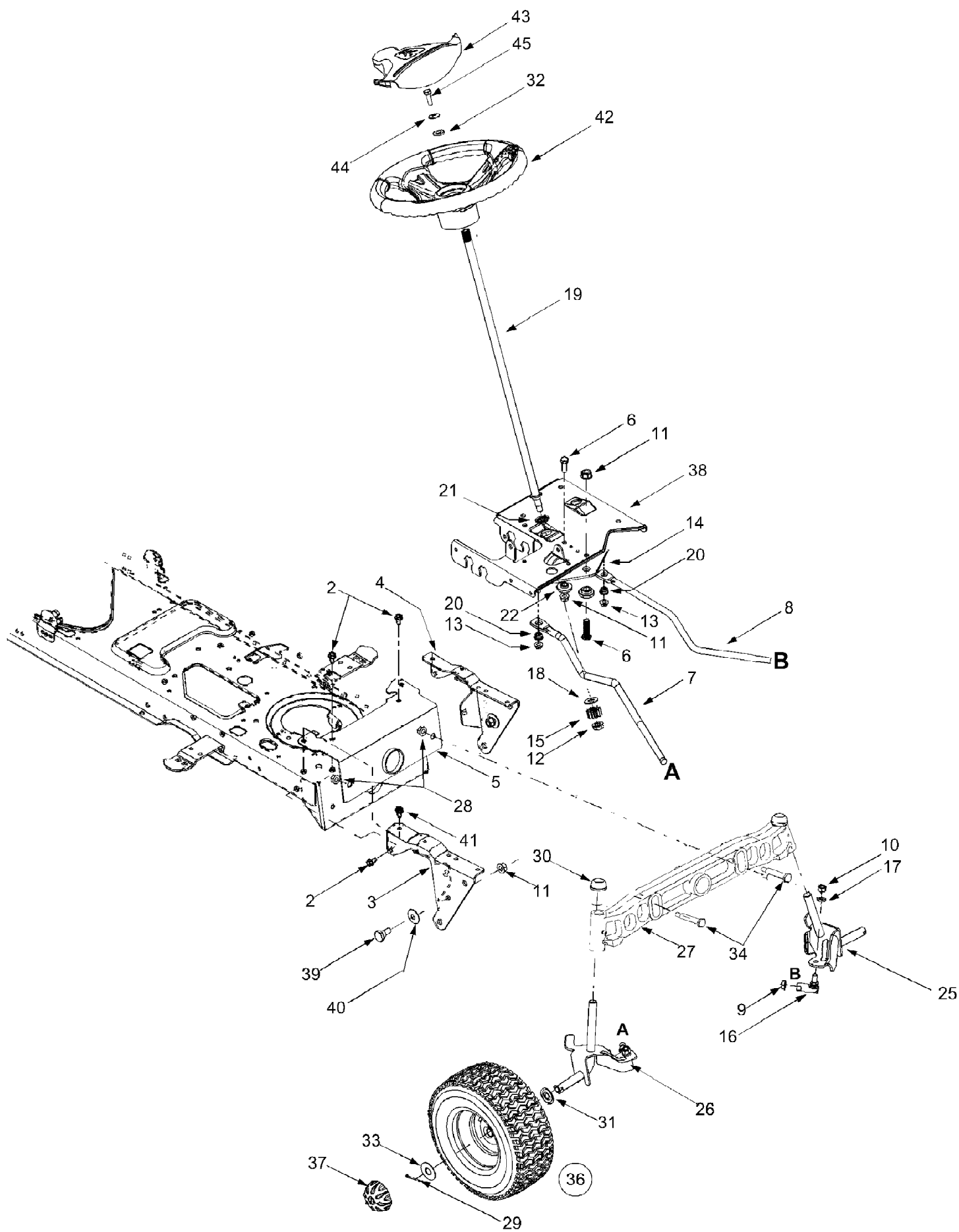
Ref #	Part Number	Qty	S/P/F	Description
54	783-0209C	1	S	Seat Lift Bracket
55	726-0201	1		Speed Clip
56	710-0599	1	/P	Self-Tapping Screw 1/4-20 x 0.5"



13A6606H790 LT-2200 (2004)
Starter

Page 27 of 31

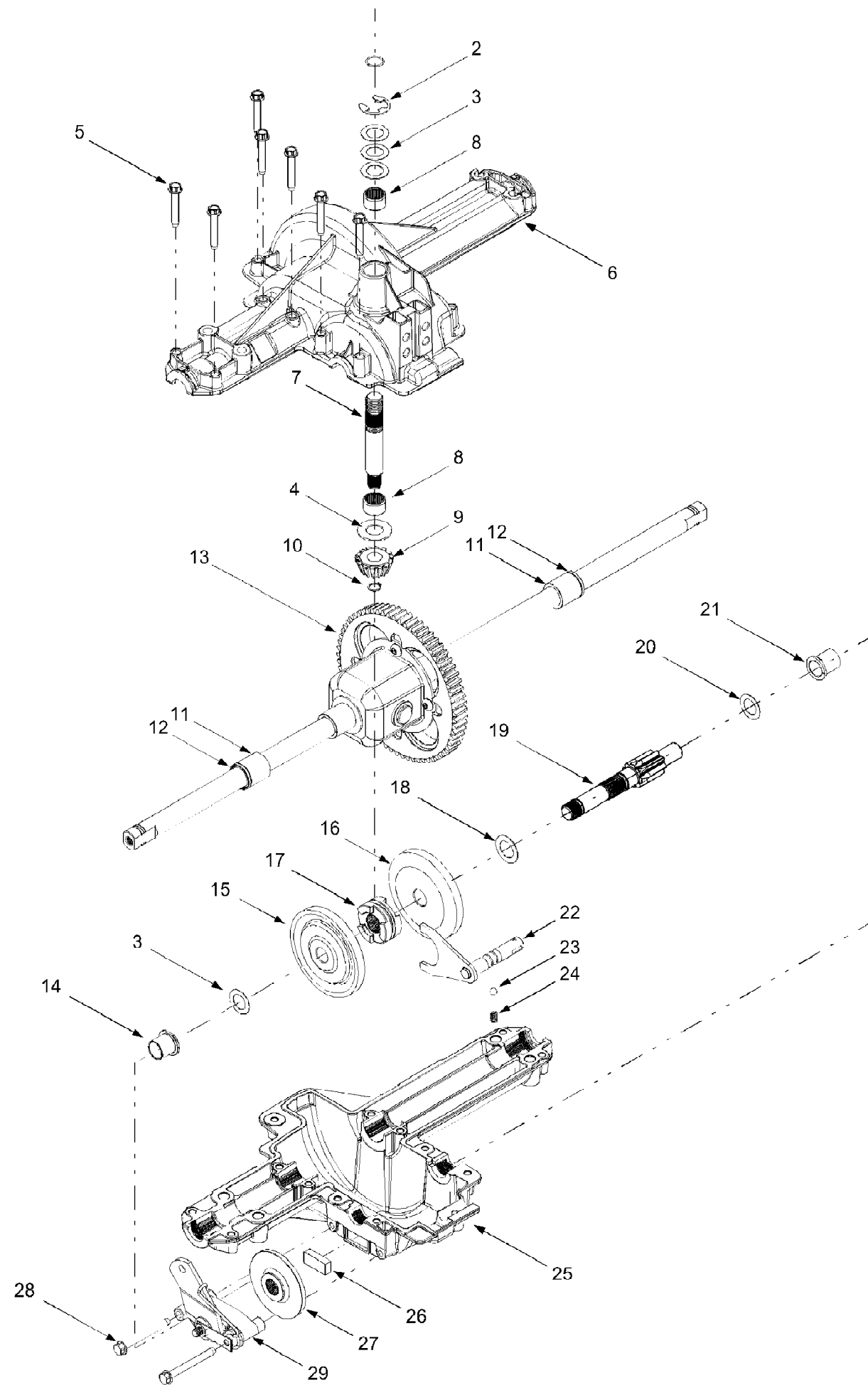
Ref #	Part Number	Qty	S/P/F	Description
	TC-37284	1	/P	Electric Starter (12 Volt)
1	TC-33841	1		Dust Cover
2	TC-33842	1		Retainer Ring
3	TC-33843	1		Spring Retainer
4	TC-33854	1		Anti-drift Spring
5A	TC-36853	1		Gear & Nut (Incl. 2)
8	TC-36854	1		Drive End Cap Assembly
9	TC-36855	1		Armature
14	TC-35897	1		Thrust Washer
15	TC-36856	1		Case Bolt
16	TC-37356	1		End Cap & Brush Card Ass'y (Incl. 14, 17, & 18)
17	TC-650168	1		Washer
18	TC-650864	1	/P	Nut
		1		Replacement Engine
		1		Shortblock (not shown)



13A6606H790 LT-2200 (2004)
Steering, Front Axle, Wheels

Page 29 of 31

Ref #	Part Number	Qty	S/P/F	Description
1	719-0525C	1	S	Pivot Bar: Axle
2	710-0604A	1	/P	Self-tapping Screw, 16-18 x .625
3	783-0726B	1	S	RH Pivot Support Bracket
4	783-0727A	1	S	LH Pivot Support Bracket
5	783-0728	1		Pivot Bar Bracket
6	710-0723	1	/P	Hex Cap Screw, 3/8-16 x 1.25 (Grade 5)
7	711-1408	1		RH Drag Link
8	711-1409A	1	/P	LH Drag Link
9	712-0240	1	S	Jam Nut, 7/16-20
10	712-0214	1	S	Hex Nut, 3/8-24
11	712-0130	1	/P	Lock Nut, 3/8-16
12	712-0459	1	/P	Flange Lock Nut, 7/16-20
13	712-0429	1	S	Lock Nut, 5/16-18
14	717-1550E	1	S	Steering Gear, 11/90 Ratio
15	717-1554	1		Steering Pinion Gear
16	723-0448A	1	S	Ball Joint, 7/16-20
18	736-3084	1	/P	Flat Washer, .51 x 1.12 x .06
19	738-1001A	1	/P	Steering Shaft, .625 OD x 24.4
20	741-0475	1	S	Plastic Bushing, .38 ID
21	741-0656	1	S	Hex Flange Bearing, 5/8
22	738-0372B	1	/P	Shoulder Spacer, .38 ID
23	631-0027	1	S	Standard Steering Wheel, 13.25
24	731-0220	1	S	Steering Wheel Cap, Round
25	638-04003	1	S	LH Axle Assembly, .750 Diameter
26	638-04004	1	S	RH Axle Assembly, .750 Diameter
27	683-0128A	1	S	Steel Pivot Bar
28	712-0130	1	/P	Lock Nut, 3/8-16
29	714-0162	1	/P	Cotter Pin
30	726-0341	1	/P	Push Cap, .625
31	736-0316	1	S	Flat Washer, .64 x 1.0 x .12
32	736-3004	1	S	Flat Washer, .406 x .875 x .105
33	736-0285	1	/P	Flat Washer, .635 x 1.589 x .06
34	738-1011	1	S	Shoulder Screw, .5 x 2.2, 3/8-16
36	634-04099	1		Wheel Assembly
36	634-04091	1		Rim Assembly Only
36	734-0255	1	S	Air Valve (Not Shown)
36	734-1731	1		Tire Only, Square Shoulder (Not Shown)
36	737-0224	1		Grease Fitting (Not Shown)
36	741-3032	1	S	Ball Bearing (Not Shown)
37	731-2290A	1	/P	Deluxe Hub Cap
38	783-0653F	1	S	Steering Support Bracket
39	738-0143	1	/P	Shoulder Screw, 3/8-16
40	736-0331	1	/P	Bell Washer, .39 x 1.13 x .062
41	710-1260A	1	/P	Self-tapping Screw, 5/16-18 x .75
42	631-04008	1	S	Steering Wheel, Soft Grip, Three Spoke
43	731-04065	1		Steering Wheel Cap, Round
45	710-0643	1	/P	Hex Bolt, 5/16-18 X 1



13A6606H790 LT-2200 (2004)
Transmission Assembly

Page 31 of 31

Ref #	Part Number	Qty	S/P/F	Description
1	732-0614	1		Ring, Wire
2	716-0231	1	S	Ring, E Type, .750
3	736-0336	1	S/F	Flat Washer, 5/8 x 1.0 x .030
	736-0337	1	S/F	Flat Washer, 5/8 x 1.0 x .040
	736-0349	1	S/F	Flat Washer, 5/8 x 1.0 x .020
4	736-0335	1	S	Washer, Thrust .635 x 1.26 x .06
5	710-1325	1	/P	Self-Tapping Screw, 1/4-20 x 1.625
6	719-04017	1	S/F	Upper Housing
7	711-1109	1		Input Shaft
8	741-0335	1	S	Needle Bearing, .625 x .813 x .495
9	717-1464	1		14-tooth Bevel Pinion
10	716-0108	1	S	Retaining Ring, .437
11	741-0340	1	S	Sleeve Bearing, .75 x .1.0 x 1.0
12	721-0338	1	S	Seal, .75 x 1.0 x .125
13	618-04041	1	S	Differential Assembly
14	741-0336	1	S	Flange Bearing, 5/8 x 3/4 x 3/4
15	717-1362	1	S	42-tooth Bevel Gear
16	717-1363	1	S	42-tooth Bevel Gear
17	718-0228	1		Clutch Collar
18	736-0519	1	S	Flat Washer, .70 x 1.125 x .031
19	711-04053	1	S	Drive Shaft
20	736-0495	1	S	Thrust Washer, 1.0 x .632 x .0
21	741-0337	1	S	Flange Bearing, 5/8 x 3/4 x 15/16
22	611-0011	1	S	Detent Shaft Assembly
23	741-0862	1	/P	Detent Ball
24	732-0863	1	S	Compression Spring
25	719-04018	1	S	Lower Housing
26	717-0678	1	S	Brake Puck
27	761-0202	1		Brake Disc
28	710-1206	1	/P	Self-Tapping Screw, 1/4-20 x 2.375
29	661-0001	1	S	Brake Assembly
	737-0148	1	S	Grease (19 oz.)